

Mechanical Design and Fabrication Facility

CAD facility:

Guidelines for Drawing Template

- The part drawing must have minimum two or three views (i.e. top view, front view, side view & cross-section view) in the drawing to describe all features of the part as shown in the below example drawing.
- The isometric view of the part must be provided at right bottom corner of the drawing.

The detailed description of title box need to be filled is as following:

Designed by: The name of designer who has design the part. (A person associated with the project/work, or a staff member of MDFF)

Drn. By (Drawn by): The name of person who has made the drawing. (A person associated with the project/work, or a staff member of MDFF).

Chd. By (Checked by): The name of person who will checked the drawing. (Co-PI or a staff member of MDFF)

Appd. By (Approved by): The name of Project leader/Group head/ HOD of Department.

Material: The name of the material of which the component/part supposed to be made.

Title: The name of the part/sub assembly/final assembly etc.

Tube Type/Device: Short name of project/Application of part/Device name/Group any one.

Rev No. (Revision No.): When the part designed first time Rev No. will be 00, if any change/modification done first time in the same part then Rev No. will be 01, if second time then Rev No. will be 02, and so on.

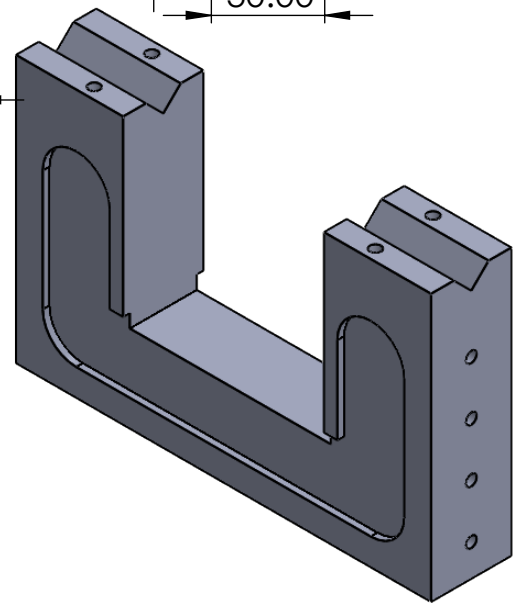
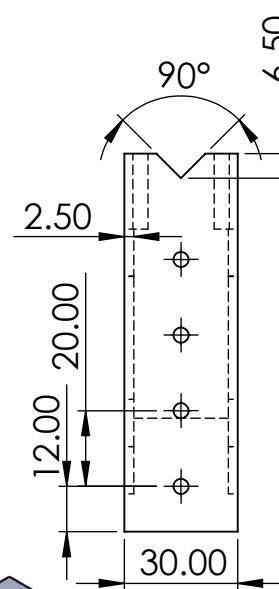
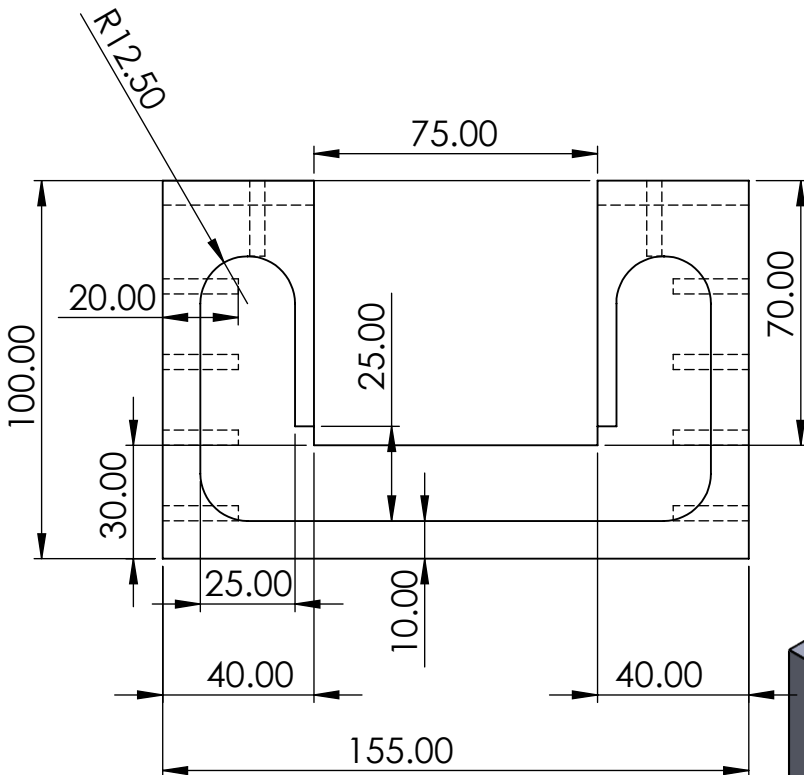
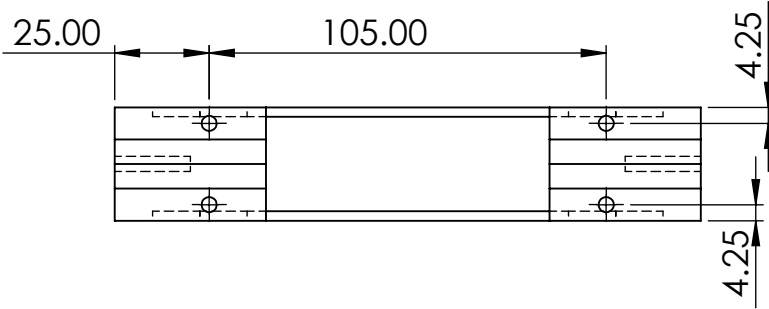
Drng. No. (Drawing Number): A unique drawing number may be provided by the project leader/Group or It should be decided by the staff member of MDFF group. The Drawing Number should be like that, which can be used for proper documentation and helpful in tracing the part in future. For example, CSIR-CEERI/Department name/ project name or number/major part or sub-assembly name of the system or device/part name, may be used a coded number (as shown in the title box, right lower corner), etc.

Kindly see the below sample drawings:

C.E.E.R.I. PROPRIETARY
 THIS DOCUMENT IS THE PROPERTY OF CEERI. NO EXPLOITATION OR RELEASE OF ANY TEXT CONTAINED HERE IN OR RELATING TO DOCUMENT IS PERMITTED IN ANY FORM WITHOUT WRITTEN CONSENT OF CEERI.

F
E
D
C
B
A

F
E
D
C
B
A



Note:- All hole should be M4,20mm deep internal threaded



**CENTRAL ELECTRONICS ENGINEERING
 RESEARCH INSTITUTE. PILANI. (Raj.)**

Rev. No.

00

Date

Gen. Tolerance

±0.05

Date

Material: Aluminium

Scale 1:2

No of Sheets:01

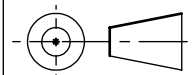
Designed by

CM

Title:

C-type jig

Dimensions in mm



Drn. by

Bijendra 17/05/2018

Chd. by

CM

Drng. No.

17 21 33 77 18

Appd. by

SK Ghosh

Tube Type: CTU-250

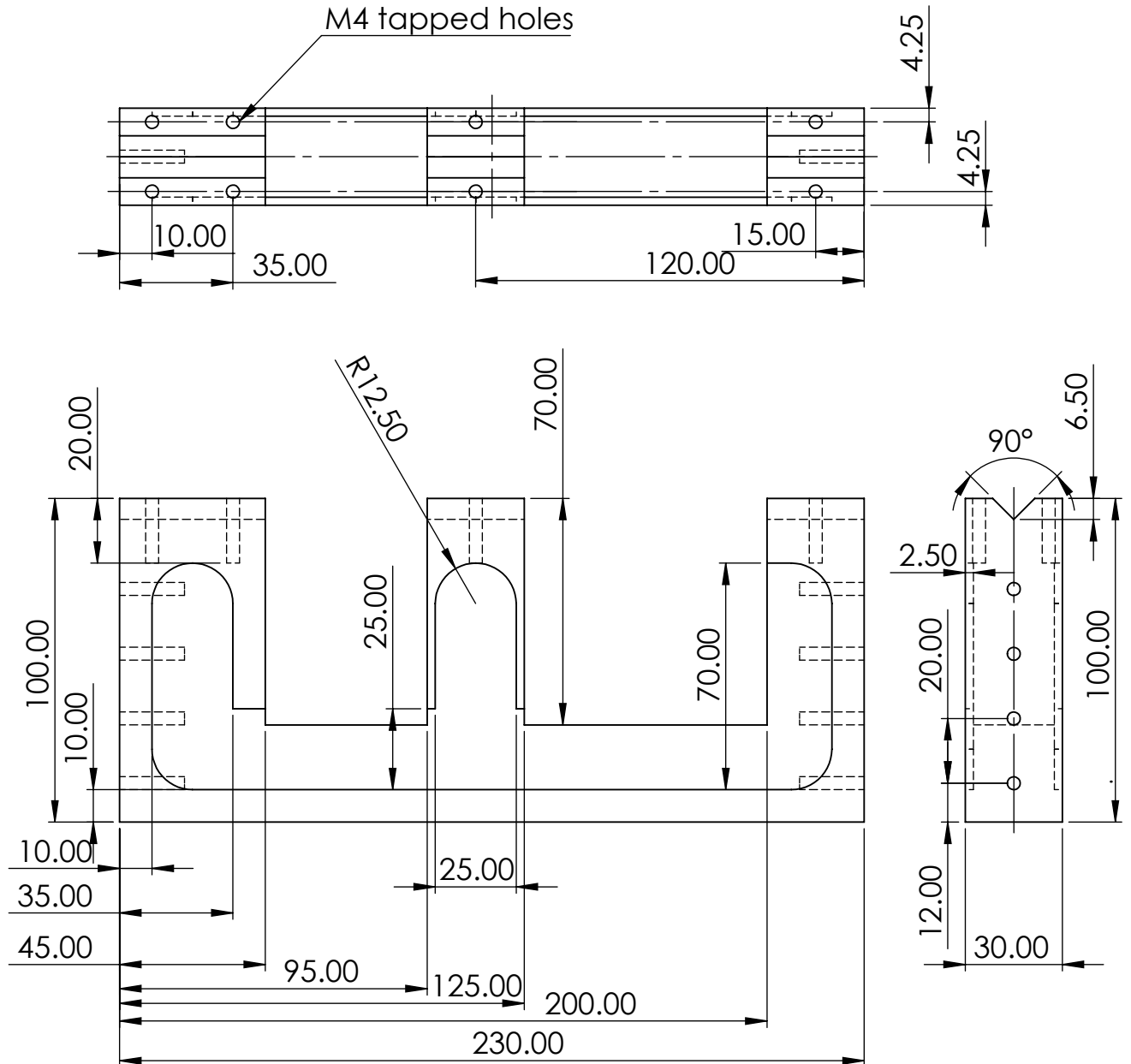
4

3

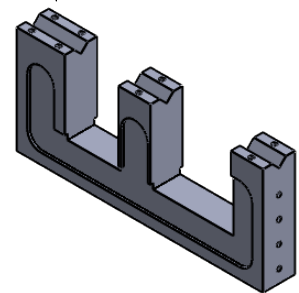
2

1

C.E.E.R.I. PROPRIETARY
 THIS DOCUMENT IS THE PROPERTY OF CEERI. NO EXPLOITATION OR RELEASE OF ANY TEXT CONTAINED HERE IN OR RELATING TO DOCUMENT IS PERMITTED IN ANY FORM WITHOUT WRITTEN CONSENT OF CEERI.



Note:- All hole should be M4,20mm deep internal threaded



**CENTRAL ELECTRONICS ENGINEERING
 RESEARCH INSTITUTE. PILANI. (Raj.)**

Rev. No.

00

Date

Gen. Tolerance

±0.05

Date

Material: Aluminium

Scale 1:2

No of Sheets:01

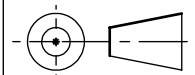
Designed by

CM

Title:

E-Type jig

Dimensions in mm



Drn. by

Bijendra

17/05/2018

Chd. by

CM

Drng. No.

17 21 33 77 17

Appd. by

SK Ghosh

Tube Type: CTU-250