



सीएसआइआर- केन्द्रीय इलेक्ट्रॉनिकी अभियांत्रिकी अनुसंधान संस्थान

CSIR-CENTRAL ELECTRONICS ENGINEERING RESEARCH INSTITUTE

(विज्ञान तथा प्रौद्योगिकी मंत्रालय, भारत सरकार/MINISTRY OF SCIENCE & TECHNOLOGY, GOVT. OF INDIA)

पिलानी - 333 031 (राज.) भारत PILANI - 333 031 (RAJASTHAN) INDIA

Email ID: spo@ceeri.res.in

Fax:01596-242135, 242294

PH No. 01596-244710

REGISTERED POST

Tender No. 183/P-07/MWD/6-Pur/2018/T-38

Date: 24.07.2018

M/s.

SUB: REQUEST FOR INVITING QUOTATIONS/TENDER INDIGINEOUSLY.

Dear Sir,

Please send your quotation on e-procurement portal (<https://etenders.gov.in>) The tender will be opened on the specified date and time given below.

LAST DATE OF RECEIPT OF TENDERS: 16.08.2018 AT 2:30 P.M.

DATE OF OPENING: 17.08.2018 AT 3:30 P.M.

The goods will be supplied within three months from the date of our order.

S.NO.	NAME OF ARTICLE & BRIEF DESCRIPTION	Qty
1.	UHV belljar as per attached drawing To be fitted in the existing system Note:1. Your quotation must be valid for 60 days from the date of tender opening, otherwise your quotation will not be considered at all. 2. Your quotation must be FOR, CEERI, Pilani including Packing, Freight and Insurance charges etc., otherwise your quotations will not be considered at all.	02 Nos.

NOTE:1. Please send your quotation on e-procurement portal well in time in accordance with the terms and conditions printed overleaf of this letter.

Yours faithfully,

STORES & PURCHASE OFFICER

TERMS & CONDITIONS

While submitting your quotation, the following terms and conditions may be taken care off-

1. The delayed/Late tenders will not be considered at all. Your quotation must be neat and clean duly signed by authorized signatories. No erasure or alteration must be appeared in the quotation.
2. **PRICES:** Your quotation must be indicated clearly whether your prices are FOR CSIR-CEERI, PILANI/FREE DELIVERY AT CSIR-CEERI, PILANI
 - A. In case of FOR CSIR-CEERI, Pilani, unloading will be done by CSIR-CEERI. Your prices must be inclusive of Packing, Forwarding, Freight, Insurance charges. You will be responsible for safe delivery at CSIR-CEERI, Pilani free of any extra charge.
 - B. The Blue Prints/Catalogue/Pamphlets/Technical Literature and Instruction Manual must be uploaded in pdf format along with your quotation.
 - C. In case of Price FOR, CSIR-CEERI, Unloading charges will be borne by supplier.
3. **GST:** CSIR-CEERI is registered with Govt. of India and Govt. of Rajasthan vide GST registration No. 08AAATC2716R1ZF. As per notification No. 47/2017-Integrated Tax (Rate) dated 14th November, 2017 issued by the Ministry of Finance, Govt. of India, the rate of GST on the goods procured by CSIR-CEERI will be 5%. Kindly mention rate of GST as 5% in your quotation.
4. **DELIVERY SCHEDULE:** The successful bidders are required to supply the goods within the prescribed delivery schedule from the date of our order. Please quote your delivery schedule clearly, failing which your quotation will not be considered.
5. **MODE OF DESPATCH:** Please quote mode of Delivery/mode of dispatch through one of the following:
 - A. BY PERSONAL DELIVERY AT CSIR-CEERI FREE OF CHARGE.
 - B. BY ROAD TRANSPORT FREIGHT TO PAY OR PREPAID.
 - C. BY PASSENGER TRAIN/GOODS TRAIN FREIGHT TO COLLECT OR PREPAID.
6. **INSURANCE:** The goods will be dispatched by you duly insured against all losses from your warehouse to CSIR-CEERI Warehouse. In case of FOR CSIR-CEERI the insurance charges will be to your account.
7. **PAYMENT:** The payment will be made within 30 days after receipt and acceptance of goods by CSIR-CEERI by RTGS. NO ADVANCE PAYMENT WILL BE MADE.
8. **PENALTY:** In case the goods are not supplied within the specified delivery period, a penalty @ 0.5% of order value per week will be charged from the supplier.
9. **Indian Agents:**
 - i) Quotation should be submitted directly by the manufacturer/supplier. In case any sole authorized distributor, dealer or authorized Indian agent submit the quotation on behalf of their Principal, sole authorized distributor, dealer or authorized Indian agent must enclose a certified copy of the agency agreement between Principal and sole authorized distributor/dealer/authorized Indian agent, in reference to CSIR letter No. 13-4(04)/15-16/S&P/Policy/Cir dated 13.09.2017, failing which their quotation will be summarily rejected. Please also enclose the manufacturer's authorization along with bid as per Annexure-G.
 - ii) In reference to CSIR letter No. 13-4(04)/15-16/S&P/Policy/Cir dated 13.09.2017, it is a compulsion for the foreign bidder to disclose the name and address of their Indian agent and representative in India and the same goes for an Indian bidder to disclose their foreign Principal or associate, failing which their quotation will be summarily rejected.
 - iii) The percentage of Indian agent's commission must be indicated clearly in the quotation which will be paid in Indian Rupees after receipt of material in good condition and satisfactory installation/commissioning and acceptance of material/equipment.
10. **Acceptance of order:** The acceptance of our order must be sent by successful bidder in writing within 15 days after receipt of our order.
11. All disputes arising out of this shall be referred to the sole arbitrator of CSIR-CEERI/CSIR and his award shall be final and binding on both the parties to the dispute. All suits in respect of this shall be in courts of Jaipur.
13. **The Director, CSIR-CEERI reserves the right to reject lowest quotation or any quotation or all the quotations or accept any quotation or part thereof without assigning any reason.**

STORES & PURCHASE OFFICER

NOTICE INVITING TENDER

Director, CSIR-Central Electronics Engineering Research Institute, Pilani – 333 031 (Rajasthan) invites e-tenders from Indian/ Foreign Original Manufacturers or their Authorized distributors, dealers, system integrators under single bid system.

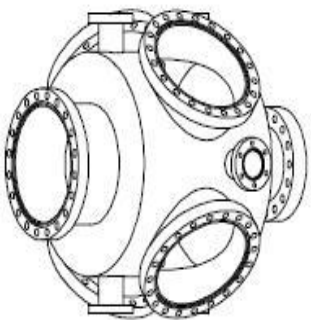
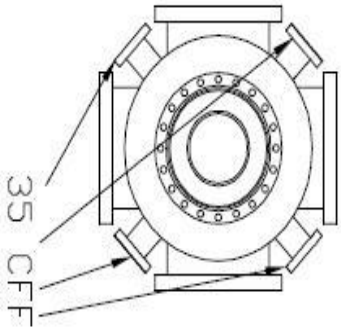
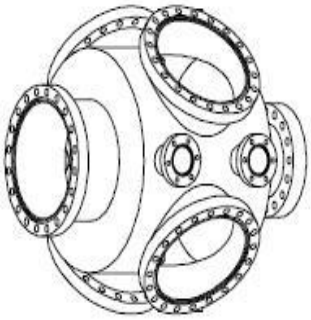
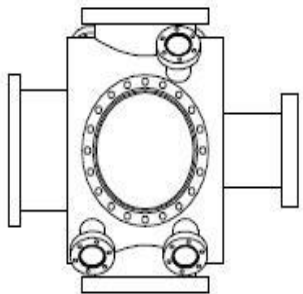
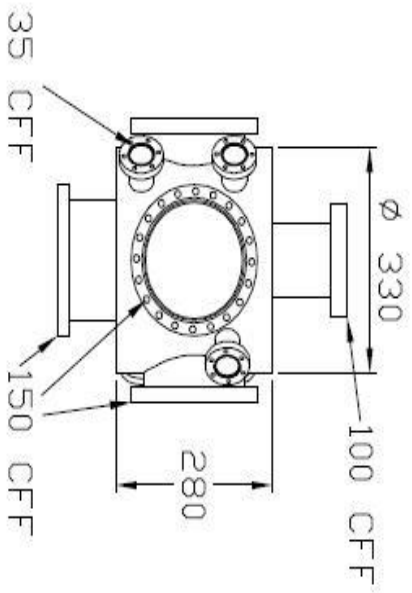
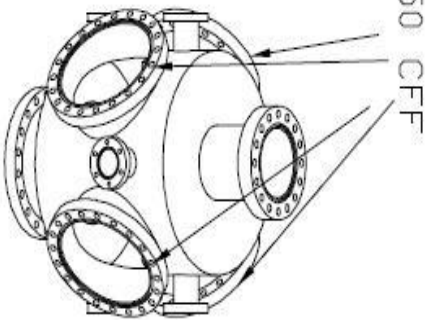
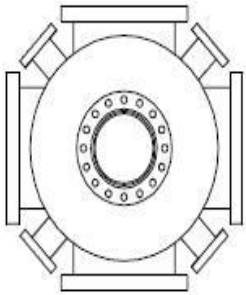
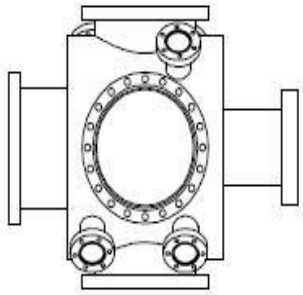
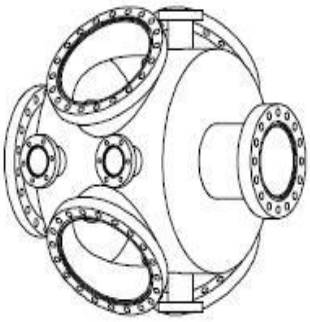
S. No.	Tender Reference	Description of Goods	Quantity
1.	183/P-07/MWD/6-Pur/2018/T-38	UHV belljar as per attached drawing To be fitted in the existing system	02 Nos.

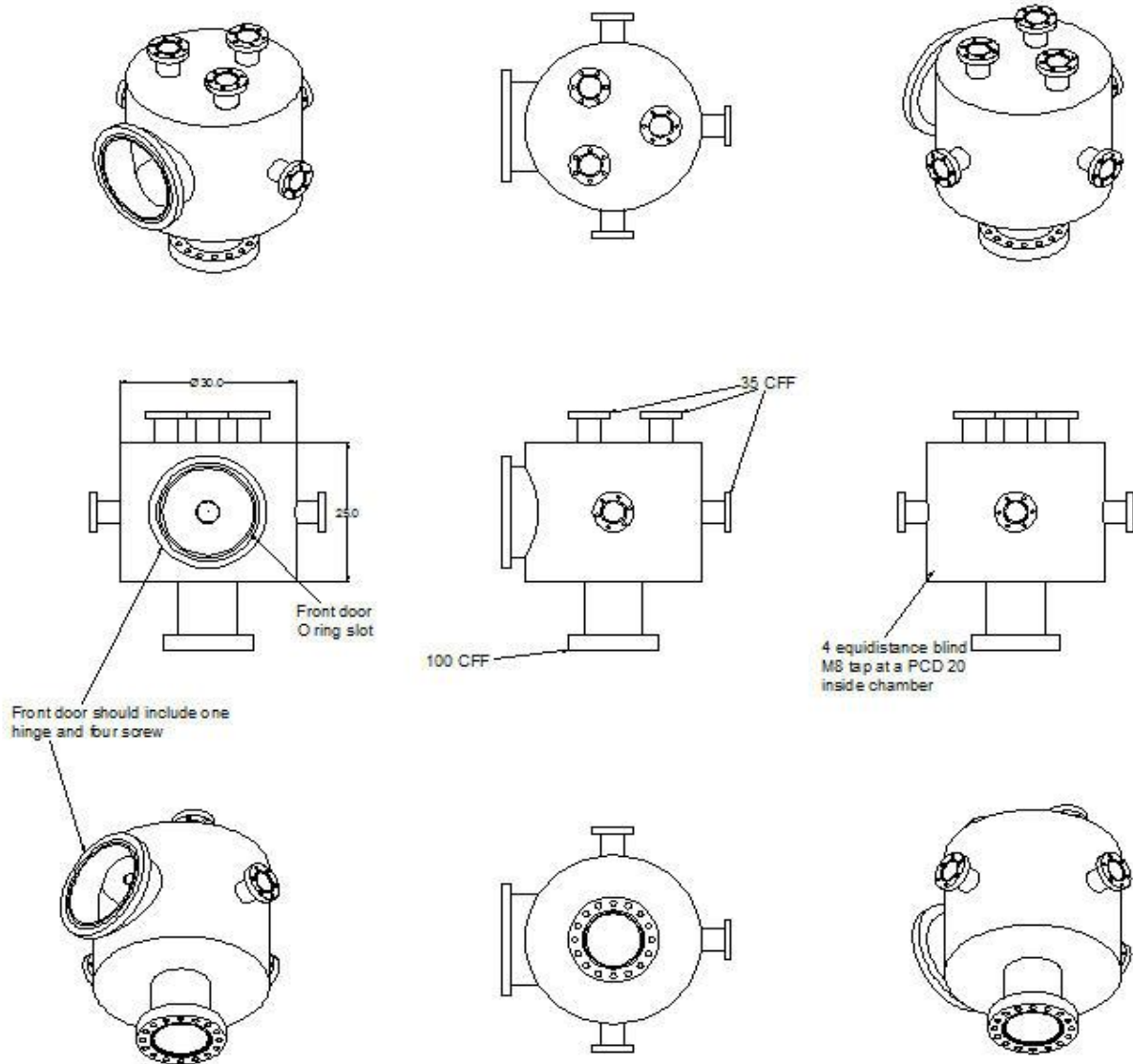
E-Bids are invited through the electronic tendering process and Tender Document can be purchased and downloaded from the e-Tender portal of Government of India, <https://etenders.gov.in>. A copy of the Tender Document is also available on CSIR-CEERI website: www.ceeri.res.in. Please note that the submission of e-Bids will be only through the e-Tender portal <https://etenders.gov.in>. Bids will not be accepted in any other form. Further it may be noted that Bids which are duly submitted on –Tender portal shall only be considered and Bids just saved without submission will not be available to the Evaluation Committee of CSIR-CEERI.

Any Bidder willing to take part in the process of e-tendering will have to get registered in the Central Public Procurement (CPP) portal, NIC, Government of India, by logging on to the portal <https://etenders.gov.in>. Bidders are requested to go through “Bidder Manual Kit”, “System settings” and “FAQ” links available on the login page of the e-Tender portal for guidelines, procedures and system requirements. In case of any technical difficulty, bidders may contact the help desk numbers and email ids mentioned at the e-tender portal. Every Bidder will be required to obtain a Class-III Digital Signature (DSC) for submission of Bids.

Clarifications, if required may be sent through e-tendering portal only.

Stores & Purchase Officer





All Dimensions are in cm

Please include one door with glass window (not showing in this drawing)

PROFORMA FOR QUOTATION/TENDER

From

M/s. -----

Quotation No.-----
 Date :-----
 GST No. :-----
 Phone No. :-----
 Fax No. :-----

To,
 The Director
 Central Electronics Engineering Research Institute
 Pilani (Rajasthan)

Ref:- Your quotation inquiry letter No.-----dated-----

Dear Sir,

With reference to your above referred inquiry letter, we are submitting our quotation as under for the supply of material as requested by you.

S.No.	Description of materials	Qty.	Rate	Unit	Total amount

1. Delivery period
2. Validity period of quotation: 60 days from the date of tender opening.
3. All the terms and conditions as mentioned your inquiry letter are acceptable to us.

Total Ex-works	
GST	
Insurance charges	Inclusive
Freight charges	Inclusive
Total Price F.O.R. CEERI, Pilani	

Authorized Signatories
 For M/s _____