



सीएसआइआर- केन्द्रीय इलेक्ट्रॉनिकी अभियांत्रिकी अनुसंधान संस्थान

CSIR-CENTRAL ELECTRONICS ENGINEERING RESEARCH INSTITUTE

(विज्ञान तथा प्रौद्योगिकी मंत्रालय, भारत सरकार/MINISTRY OF SCIENCE & TECHNOLOGY, GOVT. OF INDIA)

पिलानी - 333 031 (राज.) भारत PILANI - 333 031 (RAJASTHAN) INDIA

Email ID: spo@ceeri.res.in

Fax:01596-242135, 242294

PH No. 01596-244710

REGISTERED POST

Tender No. 208/GAP-3322/MWD/6-Pur/2018/T-44

Date: 31.07.2018

M/s.

SUB: REQUEST FOR INVITING QUOTATIONS/TENDER INDIGINEOUSLY.

Dear Sir,

Please send your quotation on e-procurement portal (<https://etenders.gov.in>) The tender will be opened on the specified date and time given below.

LAST DATE OF RECEIPT OF TENDERS: 23.08.2018 AT 2:30 P.M.

DATE OF OPENING: 24.08.2018 AT 3:30 P.M.

The goods will be supplied within 3 months from the date of our order.

S.NO.	NAME OF ARTICLE & BRIEF DESCRIPTION	Qty
1.	<p>Air Shower</p> <p>Specification and drawing are enclosed</p> <p>❖ Training will be provided by supplier at the time of Installation at CSIR-CEERI, Pilani at free of cost.</p> <p>Note:1. Your quotation must be valid for 60 days from the date of tender opening, otherwise your quotation will not be considered at all.</p> <p>2. Your quotation must be FOR, CEERI, Pilani including Packing, Freight and Insurance charges etc., otherwise your quotations will not be considered at all.</p>	01 No.

NOTE:1. Please send your quotation on e-procurement portal well in time in accordance with the terms and conditions printed overleaf of this letter.

Yours faithfully,

STORES & PURCHASE OFFICER

TERMS & CONDITIONS

While submitting your quotation, the following terms and conditions may be taken care off-

1. The delayed/Late tenders will not be considered at all. Your quotation must be neat and clean duly signed by authorized signatories. No erasure or alteration must be appeared in the quotation.
2. **PRICES:** Your quotation must be indicated clearly whether your prices are FOR CSIR-CEERI, PILANI/FREE DELIVERY AT CSIR-CEERI, PILANI
 - A. In case of FOR CSIR-CEERI, Pilani, unloading will be done by CSIR-CEERI. Your prices must be inclusive of Packing, Forwarding, Freight, Insurance charges. You will be responsible for safe delivery at CSIR-CEERI, Pilani free of any extra charge.
 - B. The Blue Prints/Catalogue/Pamphlets/Technical Literature and Instruction Manual must be uploaded in pdf format along with your quotation.
 - C. In case of Price FOR, CSIR-CEERI, Unloading charges will be borne by supplier.
3. **GST:** CSIR-CEERI is registered with Govt. of India and Govt. of Rajasthan vide GST registration No. 08AAATC2716R1ZF. As per notification No. 47/2017-Integrated Tax (Rate) dated 14th November, 2017 issued by the Ministry of Finance, Govt. of India, the rate of GST on the goods procured by CSIR-CEERI will be 5%. Kindly mention rate of GST as 5% in your quotation.
4. **DELIVERY SCHEDULE:** The successful bidders are required to supply the goods within the prescribed delivery schedule from the date of our order. Please quote your delivery schedule clearly, failing which your quotation will not be considered.
5. **MODE OF DESPATCH:** Please quote mode of Delivery/mode of dispatch through one of the following:
 - A. BY PERSONAL DELIVERY AT CSIR-CEERI FREE OF CHARGE.
 - B. BY ROAD TRANSPORT FREIGHT TO PAY OR PREPAID.
 - C. BY PASSENGER TRAIN/GOODS TRAIN FREIGHT TO COLLECT OR PREPAID.
6. **INSURANCE:** The goods will be dispatched by you duly insured against all losses from your warehouse to CSIR-CEERI Warehouse. In case of FOR CSIR-CEERI the insurance charges will be to your account.
7. **PAYMENT:** The payment will be made within 30 days after receipt and acceptance of goods by CSIR-CEERI by RTGS. NO ADVANCE PAYMENT WILL BE MADE.
8. **INSTALLATION AND COMMISSIONING:** In case the goods need installation and Commissioning, the same will be done by the Technical Expert of the supplier up to the satisfaction of CSIR-CEERI free of charge and the same will be put under satisfactory operational condition. In case the installation/ Commissioning and performance are not found up to CSIR-CEERI satisfaction the payment will not be released.
9. **PENALTY:** In case the goods are not supplied within the specified delivery period, a penalty @ 0.5% of order value per week will be charged from the supplier.
10. **Indian Agents:**
 - i) Quotation should be submitted directly by the manufacturer/supplier. In case any sole authorized distributor, dealer or authorized Indian agent submit the quotation on behalf of their Principal, sole authorized distributor, dealer or authorized Indian agent must enclose a certified copy of the agency agreement between Principal and sole authorized distributor/dealer/authorized Indian agent, in reference to CSIR letter No. 13-4(04)/15-16/S&P/Policy/Cir dated 13.09.2017, failing which their quotation will be summarily rejected. Please also enclose the manufacturer's authorization along with bid as per Annexure-G.
 - ii) In reference to CSIR letter No. 13-4(04)/15-16/S&P/Policy/Cir dated 13.09.2017, it is a compulsion for the foreign bidder to disclose the name and address of their Indian agent and representative in India and the same goes for an Indian bidder to disclose their foreign Principal or associate, failing which their quotation will be summarily rejected.
 - iii) The percentage of Indian agent's commission must be indicated clearly in the quotation which will be paid in Indian Rupees after receipt of material in good condition and satisfactory installation/commissioning and acceptance of material/equipment.
11. **GUARANTEE/WARRANTEE:** The goods must be guaranteed/warranted against all manufacturing defects for a period of one year from the date of its satisfactory installation/commissioning and acceptance. In case the part thereof or whole equipment/goods is found defective, the same will have to be rectified/replaced on free of charge at CSIR-CEERI without laps of time. In case the goods is not repaired/replaced and deficits are not rectified and unnecessary the matter is delayed, the bank guarantee will be revoked without assigning any reason.
12. **Acceptance of order:** The acceptance of our order must be sent by successful bidder in writing within 15 days after receipt of our order.
13. All disputes arising out of this shall be referred to the sole arbitrator of CSIR-CEERI/CSIR and his award shall be final and binding on both the parties to the dispute. All suits in respect of this shall be in courts of Jaipur.
14. **The Director, CSIR-CEERI reserves the right to reject lowest quotation or any quotation or all the quotations or accept any quotation or part thereof without assigning any reason.**

STORES & PURCHASE OFFICER

NOTICE INVITING TENDER

Director, CSIR-Central Electronics Engineering Research Institute, Pilani – 333 031 (Rajasthan) invites e-tenders from Indian/ Foreign Original Manufacturers or their Authorized distributors, dealers, system integrators under single bid system.

S. No.	Tender Reference	Description of Goods	Quantity
1.	208/GAP-3322/MWD/6Pur/ 2018/T-44	Air Shower Specification and drawing are enclosed	01 No.

E-Bids are invited through the electronic tendering process and Tender Document can be purchased and downloaded from the e-Tender portal of Government of India, <https://etenders.gov.in>. A copy of the Tender Document is also available on CSIR-CEERI website: www.ceeri.res.in. Please note that the submission of e-Bids will be only through the e-Tender portal <https://etenders.gov.in>. Bids will not be accepted in any other form. Further it may be noted that Bids which are duly submitted on –Tender portal shall only be considered and Bids just saved without submission will not be available to the Evaluation Committee of CSIR-CEERI.

Any Bidder willing to take part in the process of e-tendering will have to get registered in the Central Public Procurement (CPP) portal, NIC, Government of India, by logging on to the portal <https://etenders.gov.in>. Bidders are requested to go through “Bidder Manual Kit”, “System settings” and “FAQ” links available on the login page of the e-Tender portal for guidelines, procedures and system requirements. In case of any technical difficulty, bidders may contact the help desk numbers and email ids mentioned at the e-tender portal. Every Bidder will be required to obtain a Class-III Digital Signature (DSC) for submission of Bids.

Clarifications, if required may be sent through e-tendering portal only.

Stores & Purchase Officer

Specification of Air Shower

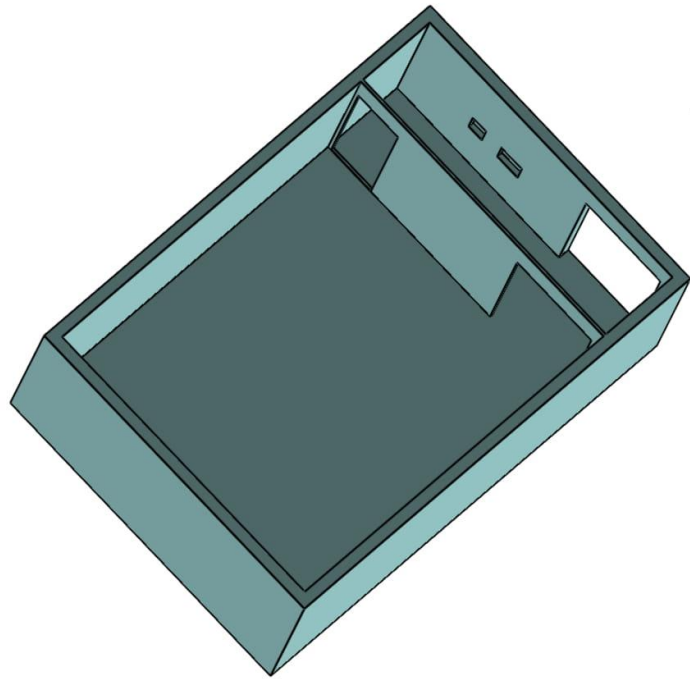
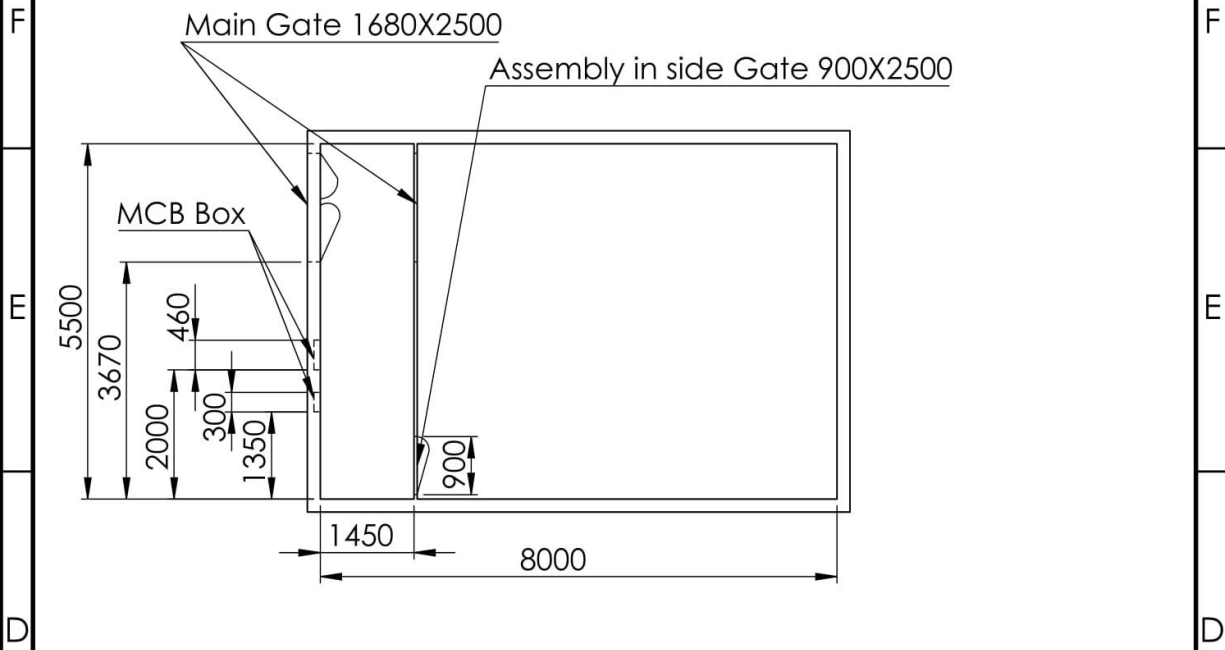
Clean room Size: W 18' x L 31 x H 11 Feet

MOC: In GI with PU coated Constructions

Design: As per attached Layout

Air balancing	100% Recirculation
Capacity	2 Persons per cycle
Internal dimensions	W 900 x D 900 x H 1950 mm
External dimensions	W 1450 x D 1000 x H 2200 mm
Entry & Exit Door Size	W 750 x H 1800 mm
Version	Straight Entry & Straight Exit
Cleanliness	CLASS 10000, (ISO CLASS 7) for particle sizes 0.5 micron & above
Air Velocity	24 METERS / SECOND □ 2
Lighting	LED lighting: 1 No.
Shower duration	0 to 120 seconds - Adjustable
Nozzles	Stainless, fixed – 14 Nos.
Nozzle position	Right, Left, Top
Blower	Outer rotor type centrifugal blower with high air volume displacement, 3 phase, 415 Volt
Power supply	415 Volt, 3 phase, 50 Hz
MOC :	Complete cabinet fabricated by using GI with Polyurethane Coated finish sheets of 1.20 mm thick
Doors	Entry & Exit Doors by made of GI with PU Coated, 20 SWG grade with glassed view panel, automatic door closures, electromagnetic interlocking, SS Handle with Push Plate, Lock & Key
Type of HEPA Filter	International standard Mini pleat type HEPA filter , made of ultra clean glass fiber paper media of imported origin, Assembled in anodized aluminum frame. Particle retention 0.3 Micron, Efficiency 99.97%, initial pressure drop 16mm WC.
Type of Return Air Filter	Made of Synthetic non-woven polyester fibers with fine HDPE Mesh reinforcement. Particle retention 10 micron, efficiency 90%, initial pressure drop 6mm WC
Controls	Interlocking By Electromagnets Overload protection by thermal relay Shower duration by adjustable electronic timer 0 to 60 seconds Shower operation – LCD based fully automatic circuitry system

C.E.E.R.I. PROPRIETARY
 THIS DOCUMENT IS THE PROPERTY OF CEERI. NO EXPLOITATION OR RELEASE OF ANY TEXT CONTAINED HERE IN
 OR RELATING TO DOCUMENT IS PERMITTED IN ANY FORM WITHOUT WRITTEN CONSENT OF CEERI.

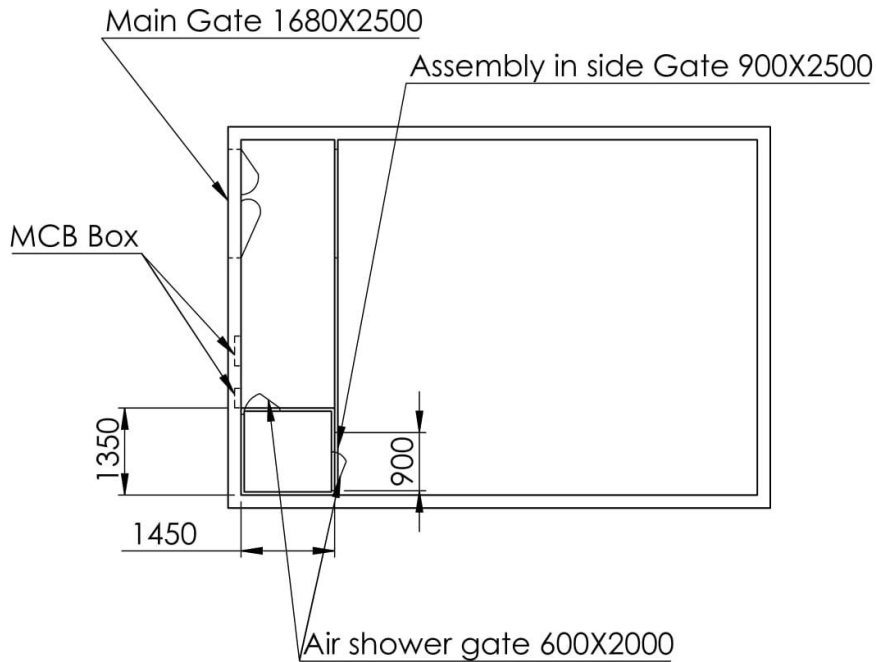


**CENTRAL ELECTRONICS ENGINEERING
 RESEARCH INSTITUTE. PILANI. (Raj.)**

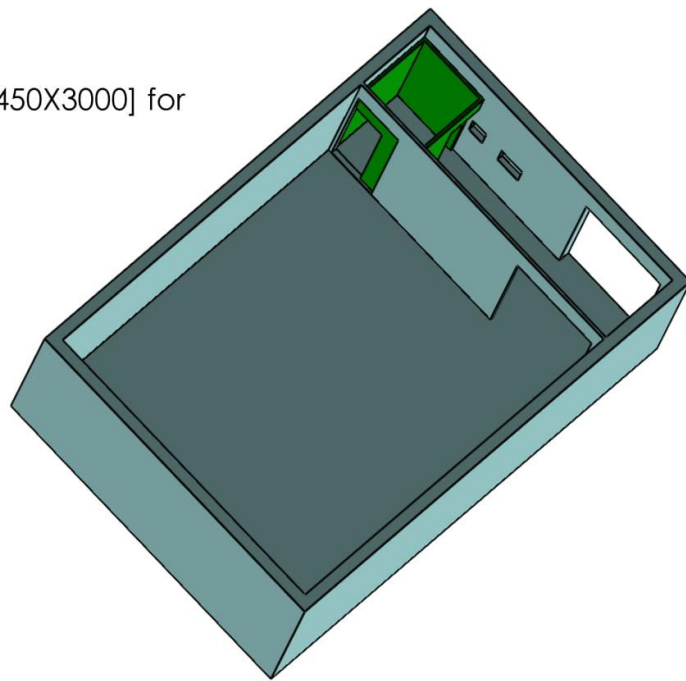
Rev. No.	Date
00	


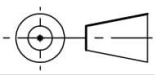
Gen. Tolerance	±0.05	Date	Material:	Scale 1:100	No of Sheets:01
Designed by			Title:	Dimensions in mm	
Drn. by	Bijendra		Air Shower Unit	Drp. No.	
Chd. by	CM				
Appd. by	SK Ghosh		Tube Type:		

C.E.E.R.I. PROPRIETARY
 THIS DOCUMENT IS THE PROPERTY OF CEERI. NO EXPLOITATION OR RELEASE OF ANY TEXT CONTAINED HERE IN
 OR RELATING TO DOCUMENT IS PERMITTED IN ANY FORM WITHOUT WRITTEN CONSENT OF CEERI.



Available Space [1350X1450X3000] for
 Air Showe Unit



	CENTRAL ELECTRONICS ENGINEERING RESEARCH INSTITUTE. PILANI. (Raj.)			Rev. No.	Date
				00	
Gen. Tolerance	±0.05	Date	Material:	Scale 1:100	No of Sheets:01
Designed by			Title:	Dimensions in mm	
Drn. by	Bijendra		Air Shower Unit		
Chd. by	CM			Drp. No.	
Appd. by	SK Ghosh		Tube Type:		

PROFORMA FOR QUOTATION/TENDER

From

M/s. -----

Quotation No.-----
 Date :-----
 GST No. :-----
 Phone No. :-----
 Fax No. :-----

To,
 The Director
 Central Electronics Engineering Research Institute
 Pilani (Rajasthan)

Ref:- Your quotation inquiry letter No.-----dated-----

Dear Sir,

With reference to your above referred inquiry letter, we are submitting our quotation as under for the supply of material as requested by you.

S.No.	Description of materials	Qty.	Rate	Unit	Total amount

1. Delivery period
2. Validity period of quotation: 60 days from the date of tender opening.
3. All the terms and conditions as mentioned your inquiry letter are acceptable to us.

Total Ex-works	
GST	
Insurance charges	Inclusive
Freight charges	Inclusive
Installation & Commissioning charges	
Total Price F.O.R. CSIR-CEERI, Pilani	

Authorized Signatories
 For M/s _____